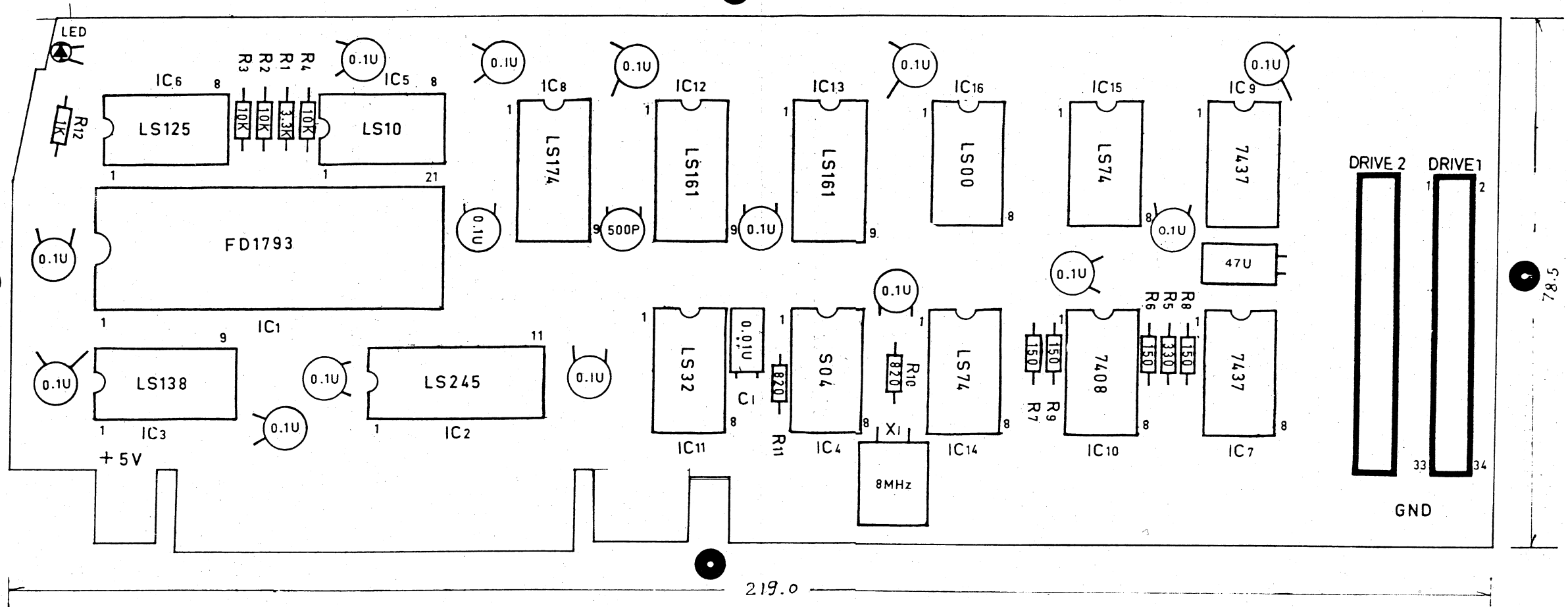




7 6 5 4 3 2 1

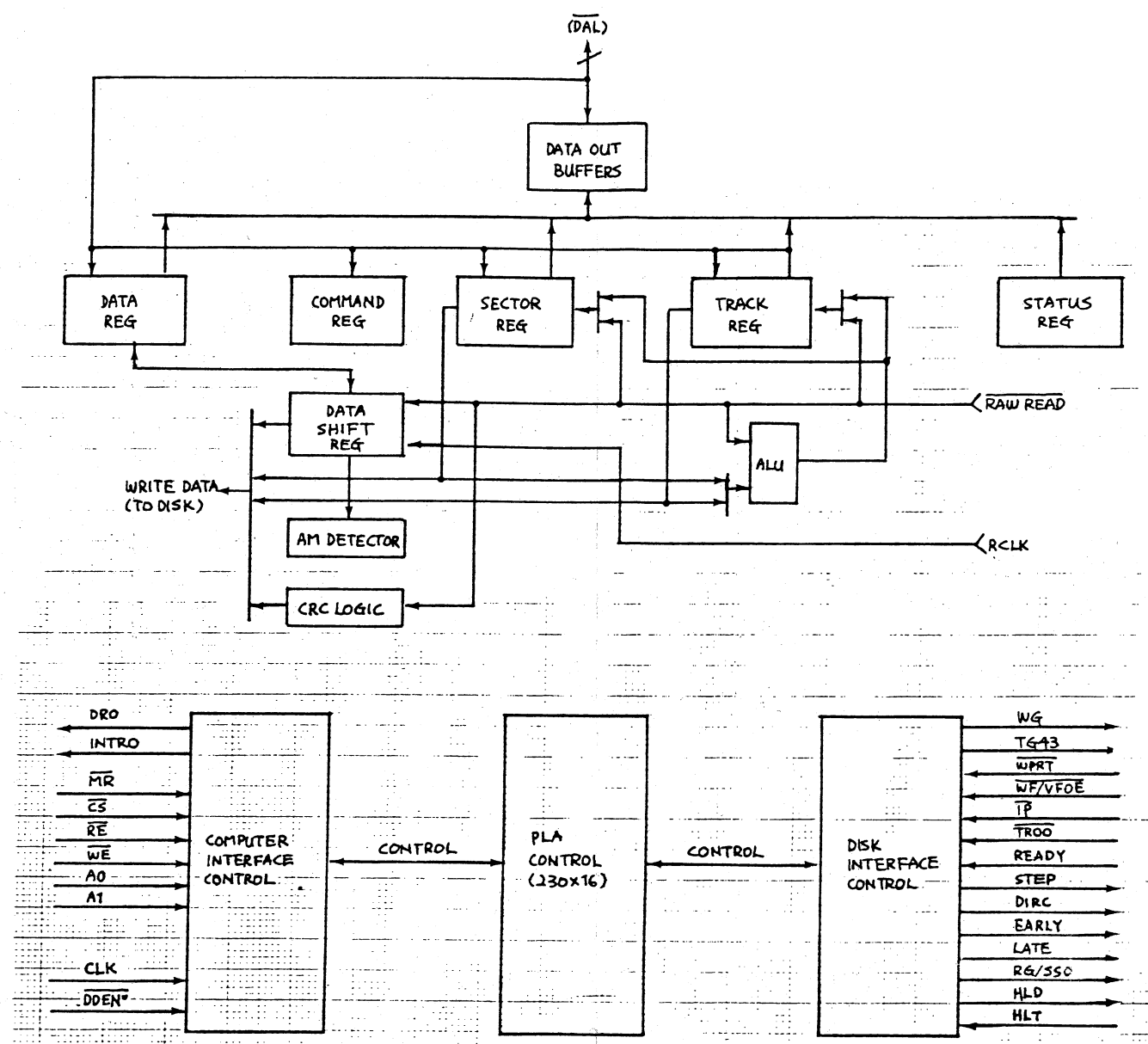
E  
D  
C  
B  
A



**CONFIDENTIAL**  
 THIS DOCUMENT CONTAINS  
 CONFIDENTIAL INFORMATION  
 WHICH IS THE EXCLUSIVE  
 PROPERTY OF SPECTRAVIDEO  
 INTERNATIONAL LIMITED

<b>SVI SPECTRAVIDEO INTERNATIONAL LIMITED</b>	
<b>CONTROLLED ENGINEING DOCUMENT</b>	
THIS DOCUMENT CONTAINS CONFIDENTIAL INFORMATION WHICH IS THE EXCLUSIVE PROPERTY OF SPECTRAVIDEO INTERNATIONAL LTD.	
TITLE SVI-S01 PCB	VERIFIED BY <u>VICKY YEUNG v.y</u> DATE <u>MARCH, 1984</u>
DOCUMENT NO STM-002-C	VERSION NO 1.0 SHEET OF 2

7 6 5 4 3 2 1



FD179X BLOCK DIAGRAM

CONFIDENTIAL  
THIS DOCUMENT CONTAINS  
CONFIDENTIAL INFORMATION  
WHICH IS THE EXCLUSIVE  
PROPERTY OF SPECTRAVIDEO  
INTERNATIONAL LIMITED

<b>CONTROLLED ENGINEERING DOCUMENT</b> THIS DOCUMENT CONTAINS CONFIDENTIAL INFORMATION WHICH IS THE EXCLUSIVE PROPERTY OF SPECTRAVIDEO INTERNATIONAL LTD.	
TITLE FD1793 FLOPPY DISK CONTROLLER BLOCK DIAGRAM	VERIFIED BY <u>VICKY YEUNG VY</u> DATE <u>MARCH, 1984</u>
DOCUMENT NO STM-003-C	VERSION NO 1.0 SHEET OF 3